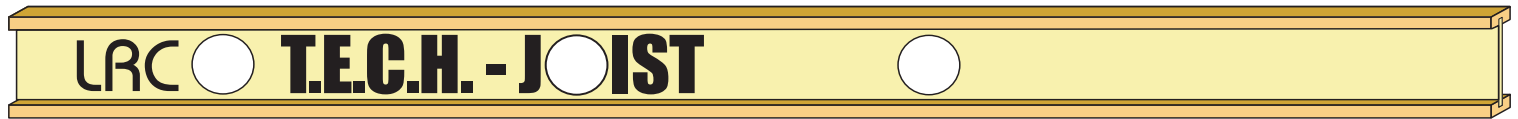


LRC Products, Inc.

Engineered Wood — We do it better because it's all we do!

Sales: 800-348-2326 ~ Corporate: 574-267-6561 ~ Fax: 574-267-8572 ~ P.O. Box 737 Warsaw, Indiana 46581
E-Mail: sales@lrcproducts.com ~ Web: www.lrcproducts.com ~ www.expressheader.com



LRC **T**rimable **E**nd **C**ircular **H**ole Joist

Features & Benefits

Competitive with floor trusses

Lumber lengths of 12, 14, & 16 foot in LRC 20, & 40 Series joist

Jobsite trimable

Labor saving pre-drilled holes everytime

Pre-engineered certified hole locations

8" hole in 11-7/8" joist and 6" hole in 9½" joist

Trimable **E**nd **C**ircular **H**ole Joist by LRC **TECH**-JOIST

Eliminate Jobsite cutting errors

Reduced cost for mechanical contractors

LRC TECH-JOIST 2012 Series designed for 3 Holes

LRC TECH-JOIST 2014 Series designed for 3 Holes

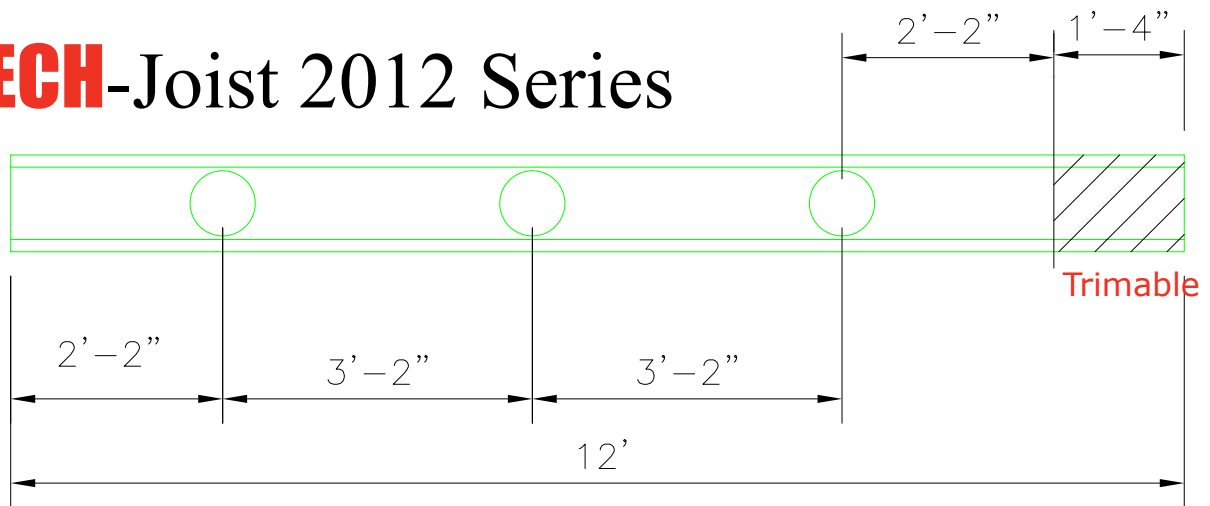
LRC TECH-JOIST 2016 Series designed for 4 Holes

LRC TECH-JOIST 4012 Series designed for 3 Holes

LRC TECH-JOIST 4014 Series designed for 3 Holes

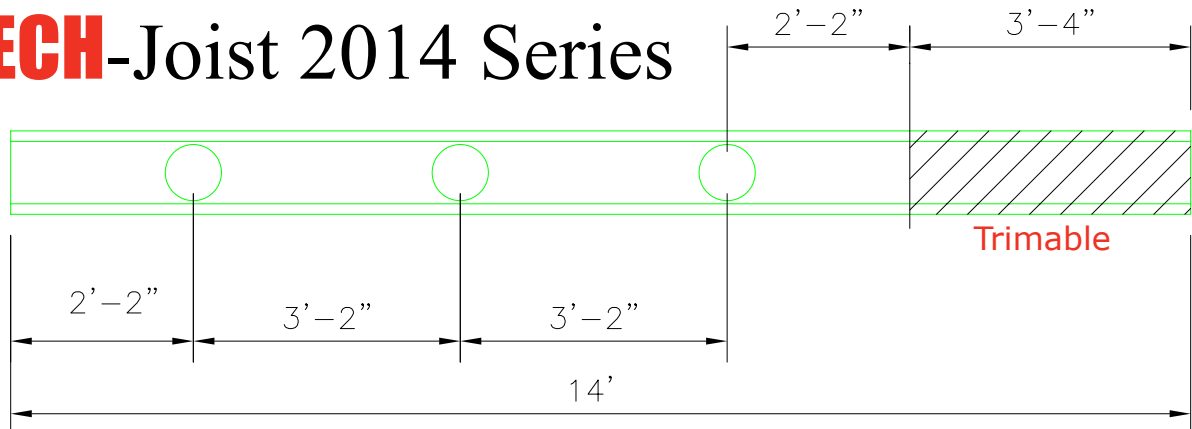
LRC TECH-JOIST 4016 Series designed for 4 Holes

LRC **TECH**-Joist 2012 Series



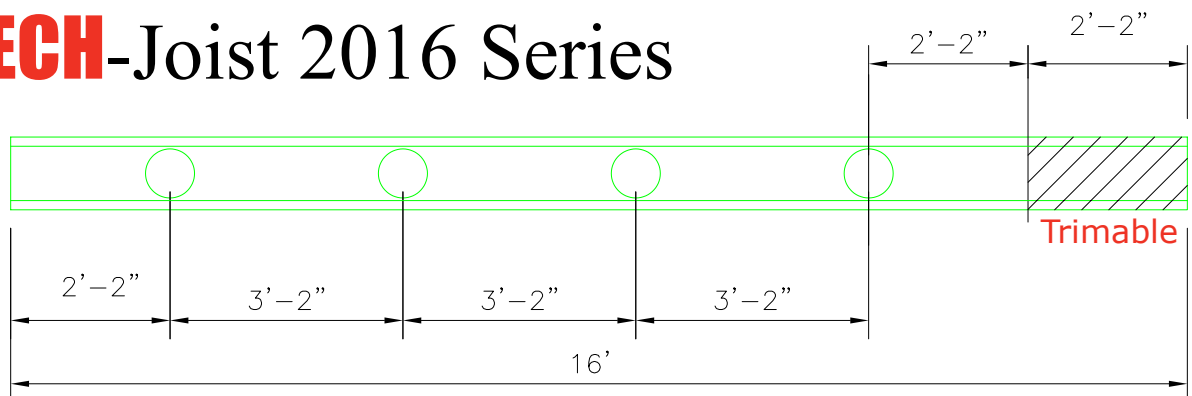
Joist Spacing: 12" o.c. & 16" o.c.
Custom LRC TECH-Joist Hole Placements, & Joist Spacing Available

LRC **TECH**-Joist 2014 Series



Joist Spacing: 12" o.c. & 16" o.c.
Custom LRC TECH-Joist Hole Placements, & Joist Spacing Available

LRC **TECH**-Joist 2016 Series



Joist Spacing: 12" o.c. & 16" o.c.
Custom LRC TECH-Joist Hole Placements, & Joist Spacing Available